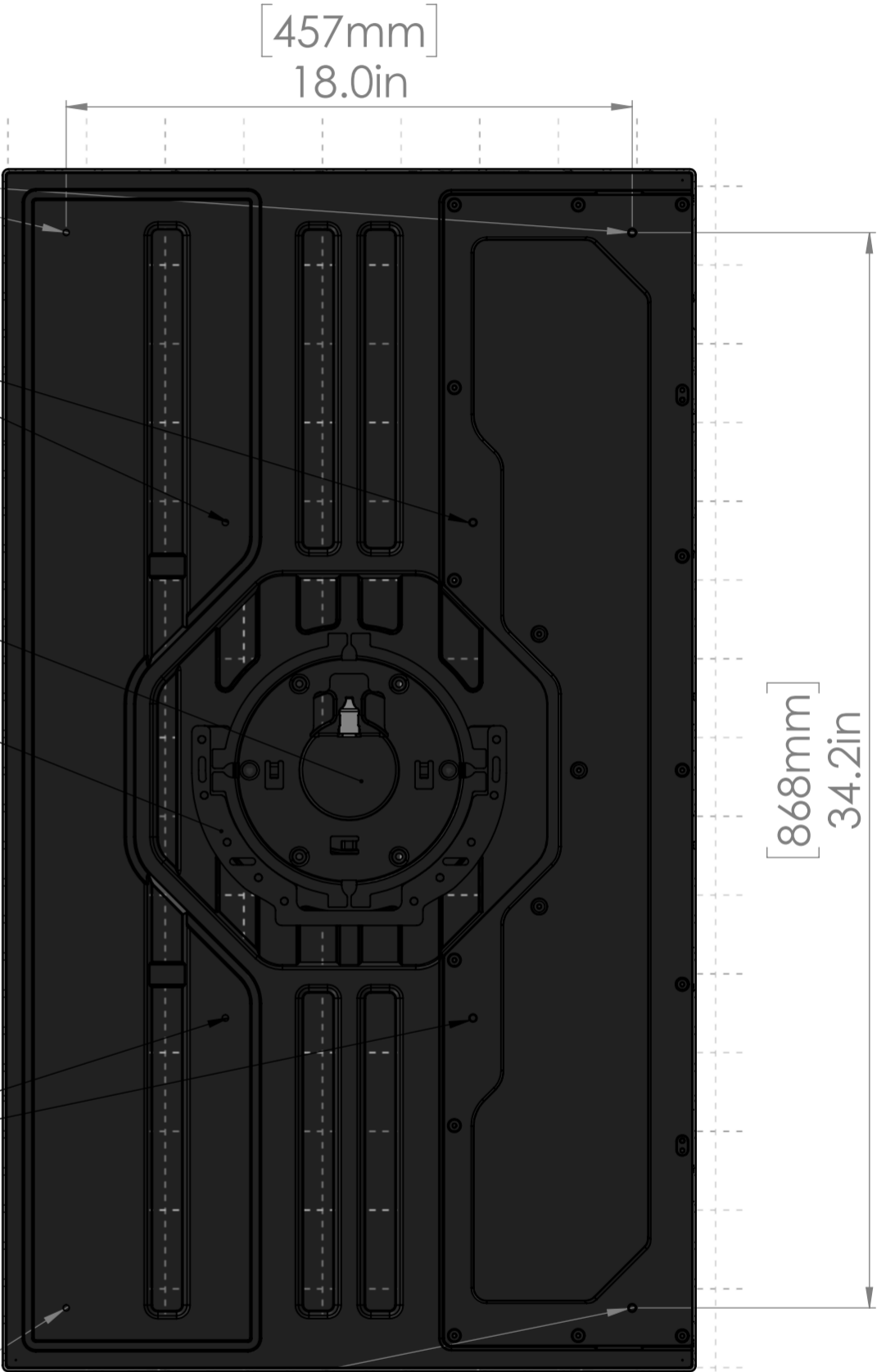
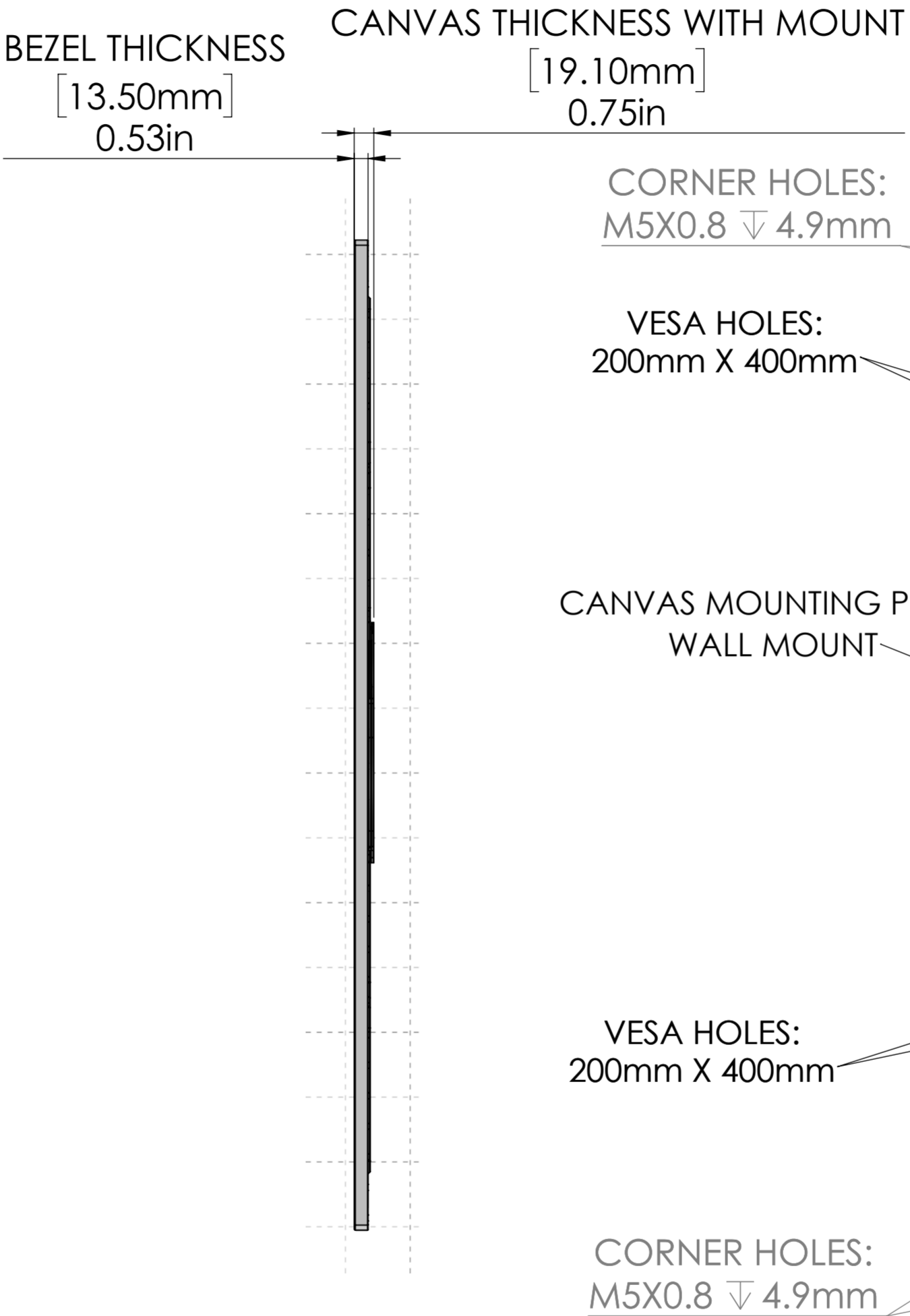
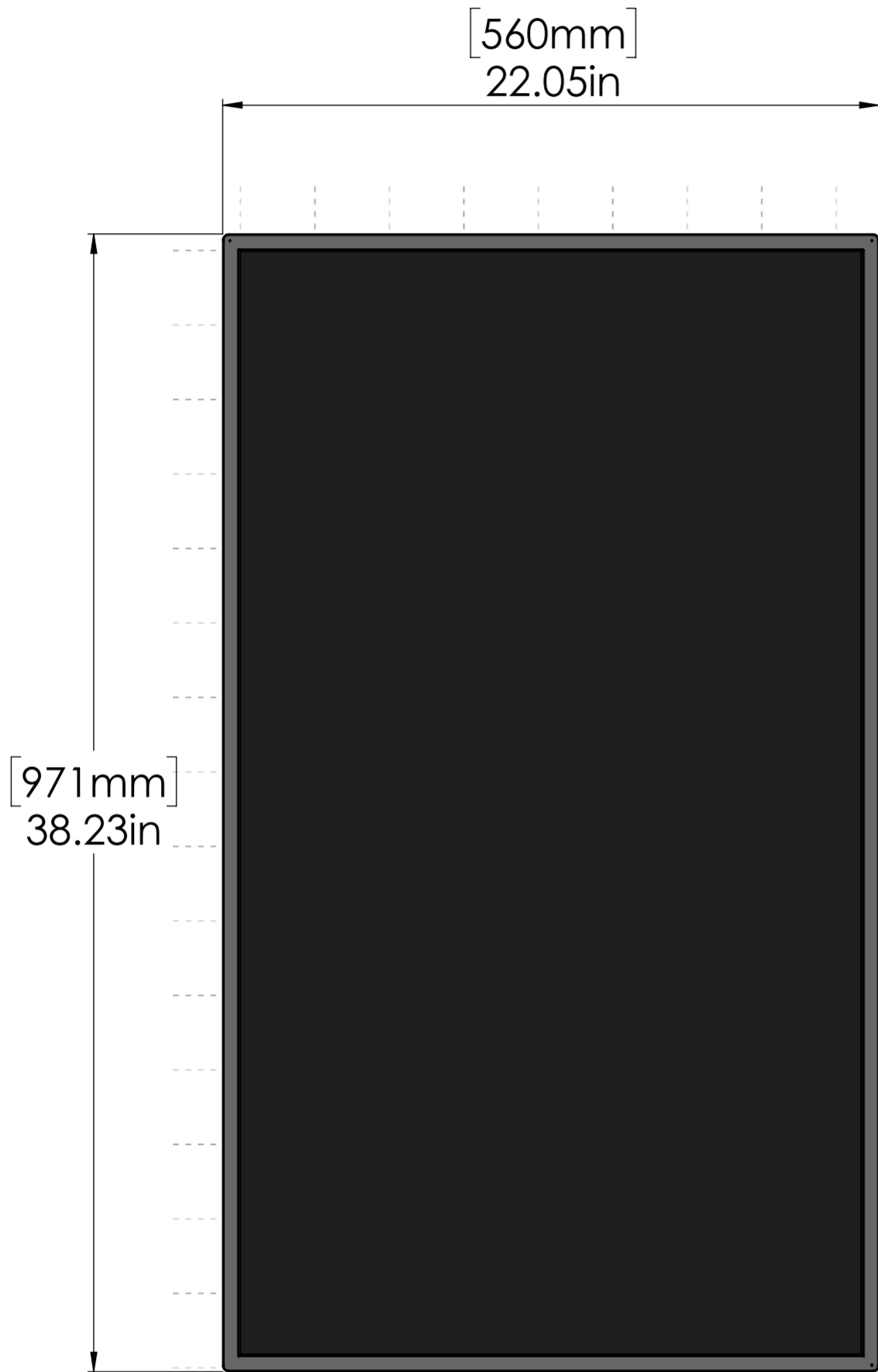




# VIDERI CONFIDENTIAL

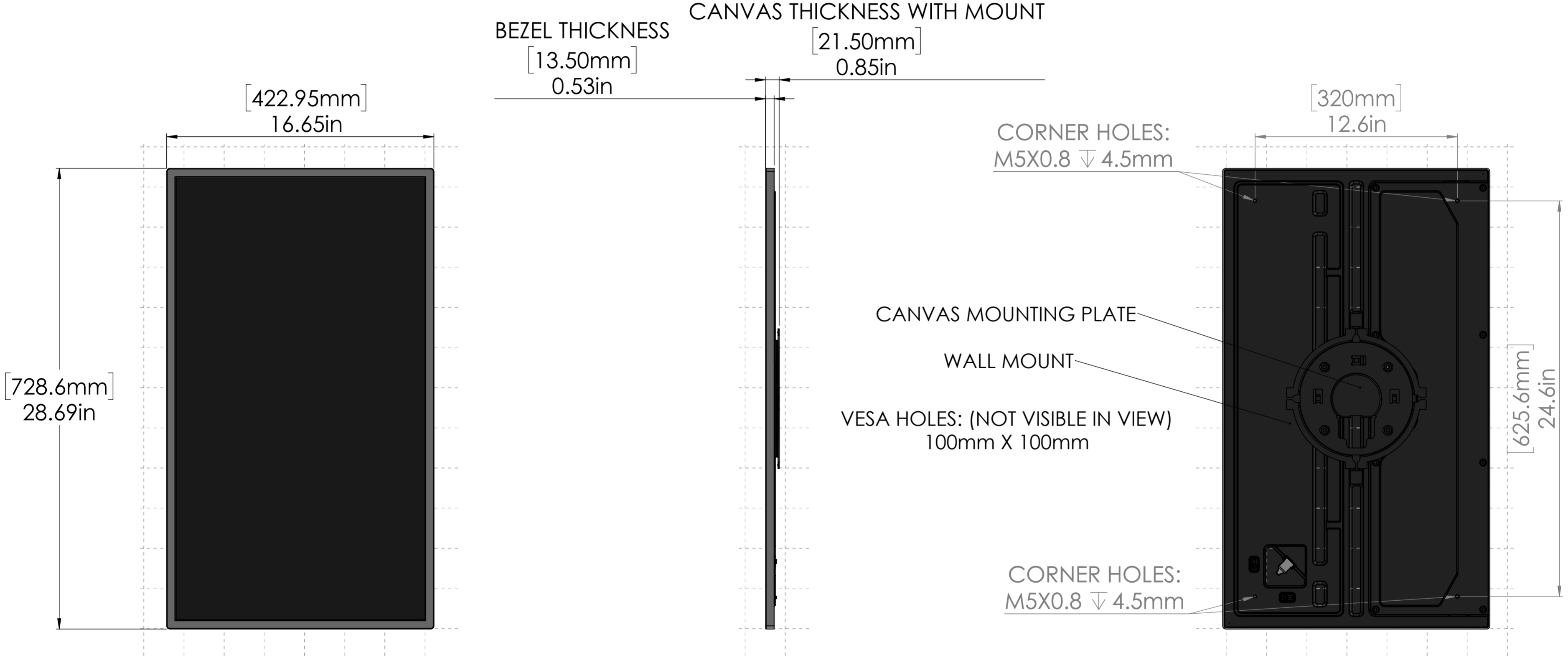


PART	PANTONE COLOR CODE
BEZEL	SILVER 877C, SATIN FINISH
BACK COVER	MATTE BLACK PANTONE BLACK C
MOUNT	MATTE BLACK PANTONE BLACK C

UNLESS OTHERWISE SPECIFIED: DIMENSIONS ARE IN MILLIMETERS		FINISH:		DEBURR AND BREAK SHARP EDGES		DO NOT SCALE DRAWING		REVISION	
TOLERANCES: LINEAR: ANGULAR:									
DRAWN	NAME	SIGNATURE	DATE			TITLE:			
CHK'D	A.KHAN		2023/04/18			SPARK 4			
APP'VD						DWG NO.		A2	
MFG						CANVAS DIMENSIONS			
Q.A						SCALE:1:5		SHEET 2 OF 8	
				MATERIAL:					
				WEIGHT:					



# VIDERI CONFIDENTIAL

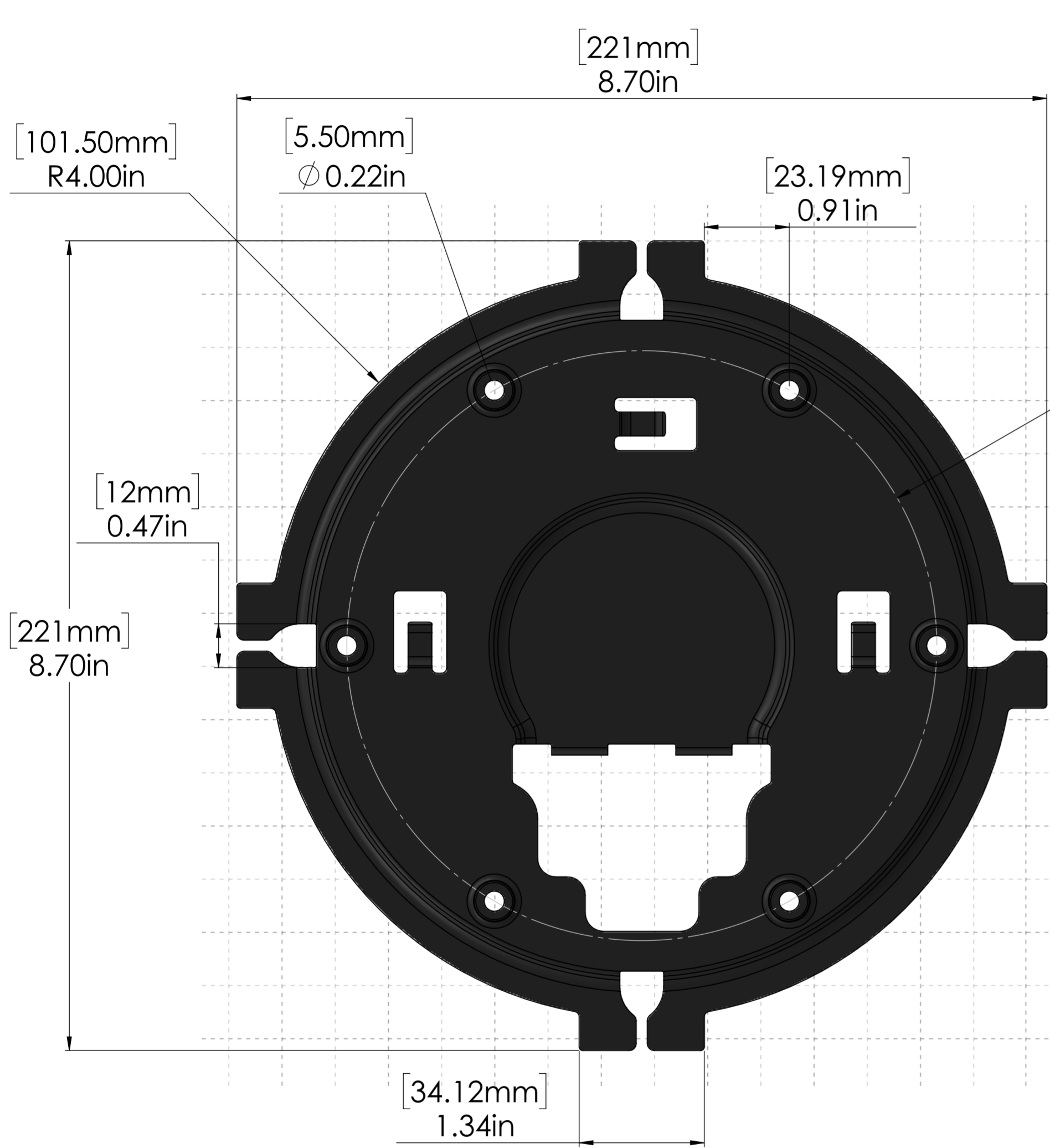


PART	PANTONE COLOR CODE
BEZEL	SILVER 877C, SATIN FINISH
BACK COVER	MATTE BLACK PANTONE BLACK C
MOUNT	MATTE BLACK PANTONE BLACK C

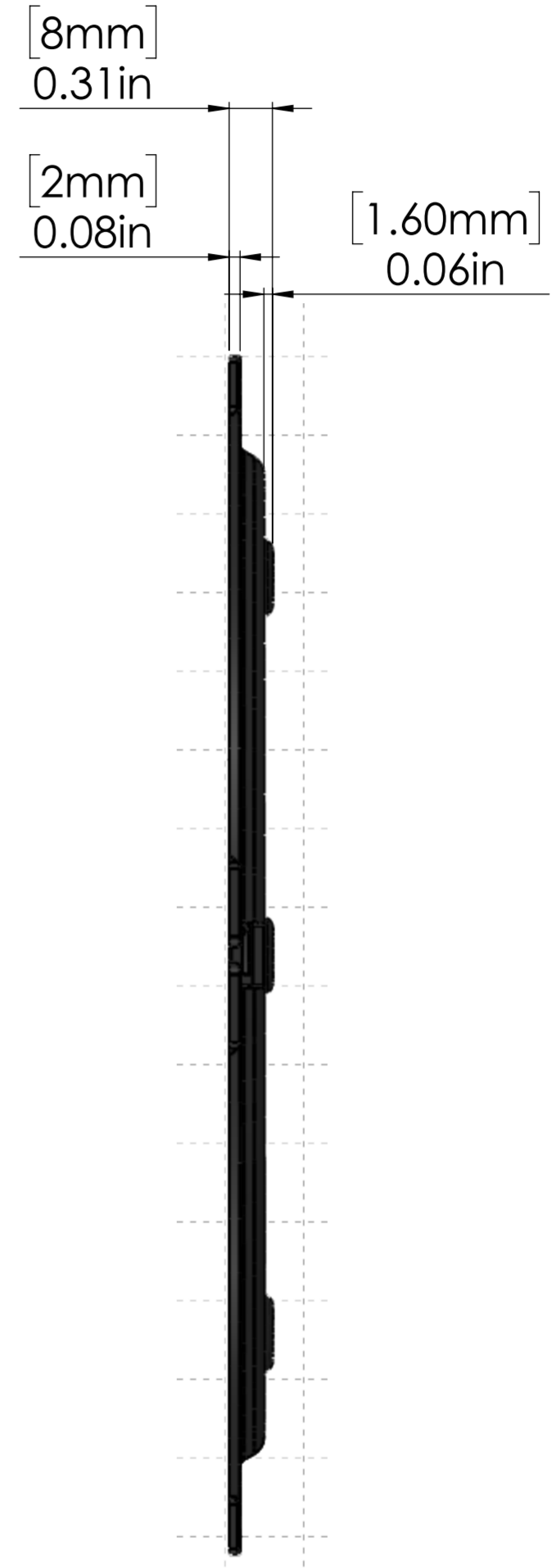
UNLESS OTHERWISE SPECIFIED: DIMENSIONS ARE IN MILLIMETERS				FINISH:		DEBURR AND BREAK SHARP EDGES		DO NOT SCALE DRAWING		REVISION	
TOLERANCES: LINEAR: ANGULAR:											
DRAWN		NAME		SIGNATURE		DATE		TITLE:		SPARK 3	
CHK'D		A.KHAN				2023/04/18					
APPV'D								DWG NO.		CANVAS DIMENSIONS	
MFG								SCALE:1:5		SHEET 4 OF 8	
Q.A								WEIGHT:		A2	



# VIDERI CONFIDENTIAL



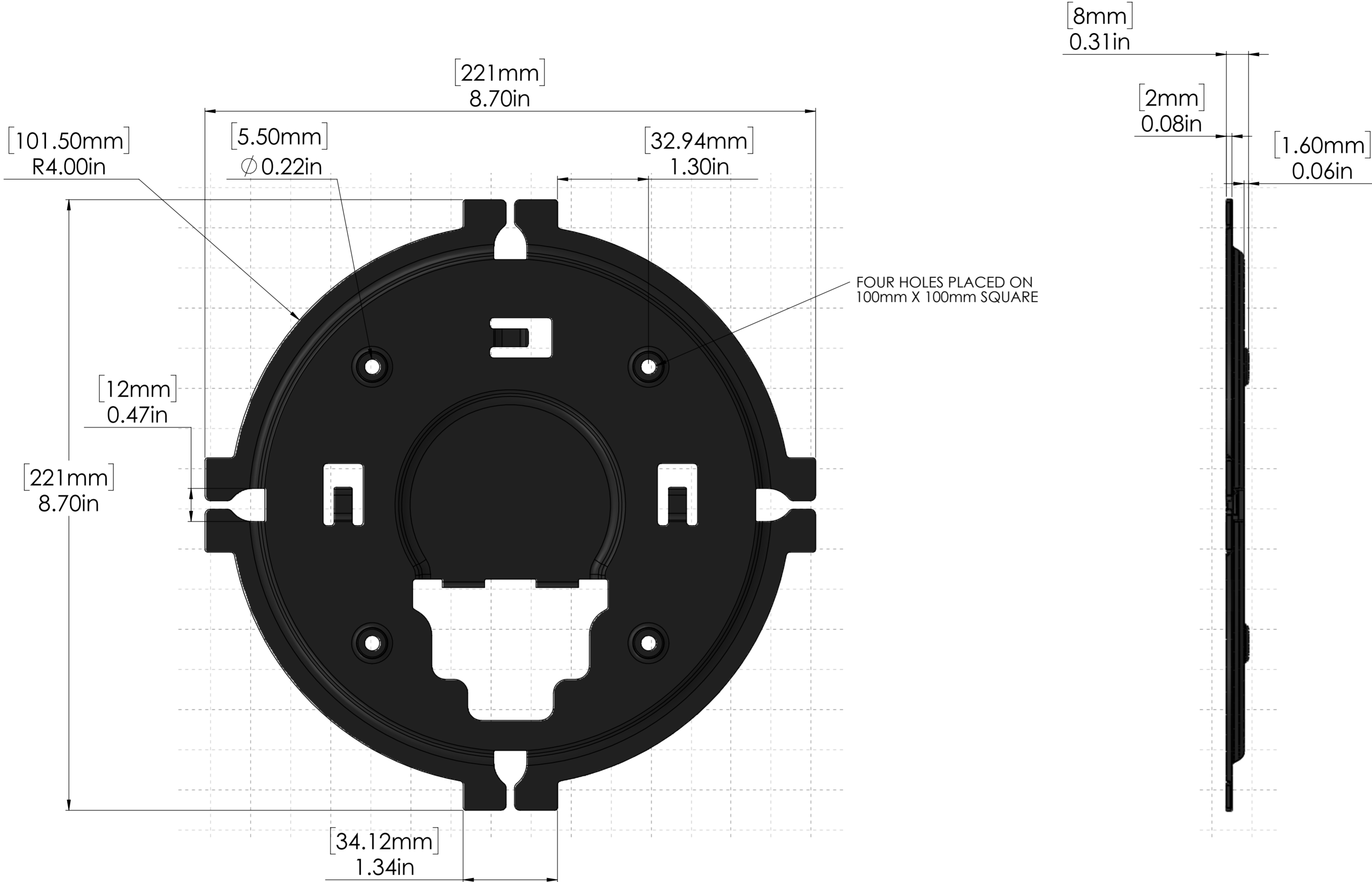
SIX MOUNTING HOLES  
SPACED EQUALLY ALONG CIRCLE  
[80.50mm]  
R3.17in



PART	PANTONE COLOR CODE
MOUNTING PLATE	MATTE BLACK PANTONE BLACK C
HORSESHOE MOUNT	MATTE BLACK PANTONE BLACK C

UNLESS OTHERWISE SPECIFIED: DIMENSIONS ARE IN MILLIMETERS				FINISH:		DEBURR AND BREAK SHARP EDGES		DO NOT SCALE DRAWING		REVISION	
TOLERANCES: LINEAR: ANGULAR:											
DRAWN	NAME	SIGNATURE	DATE					TITLE:			
CHK'D	ALKHAN		2023/04/18					SPARK 5,4,Q+ MOUNTING PLATE			
APPV'D								DWG NO.		A2	
MFG								CANVAS DIMENSIONS			
Q.A						MATERIAL:		SCALE:1:1		SHEET 6 OF 8	
						WEIGHT:					

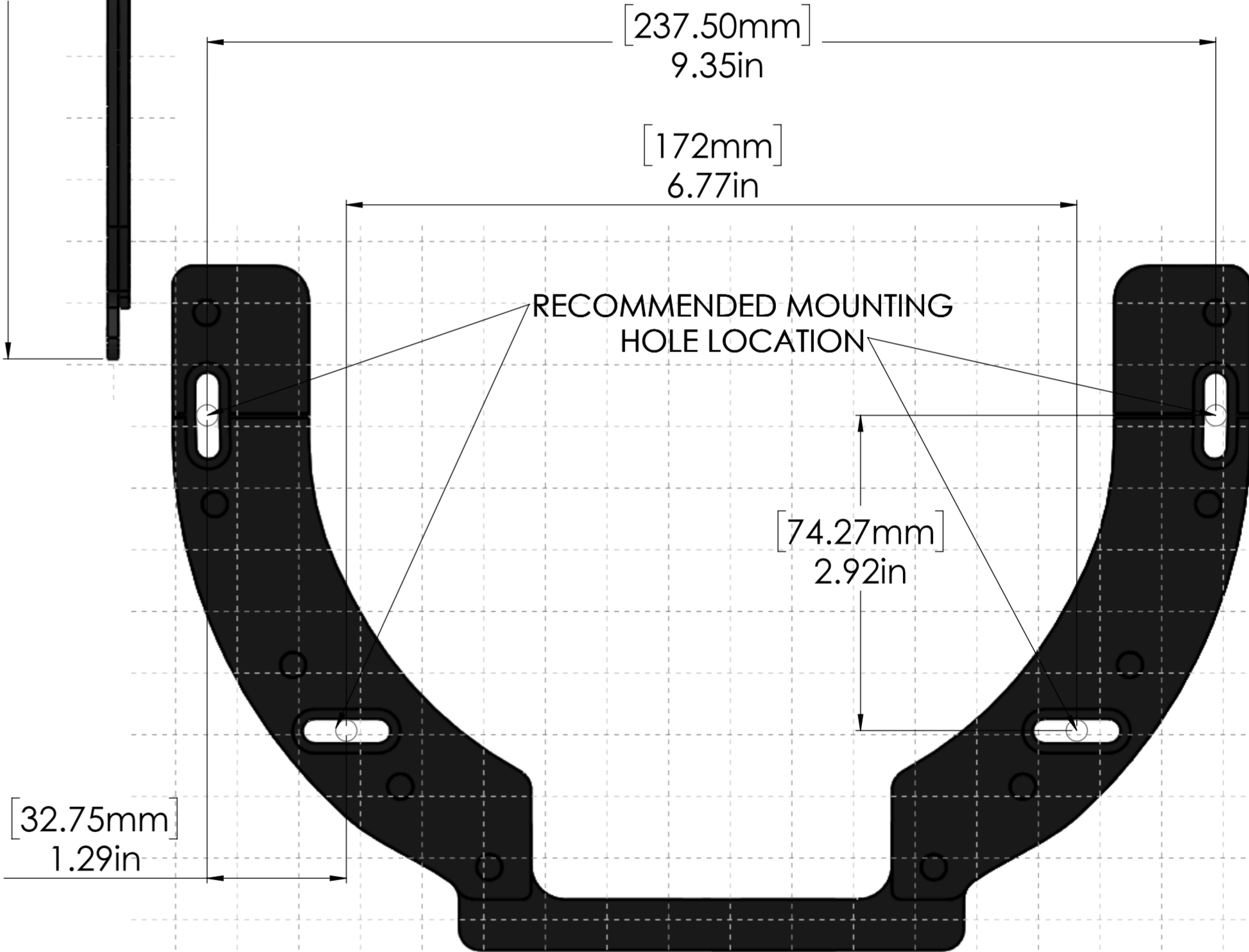
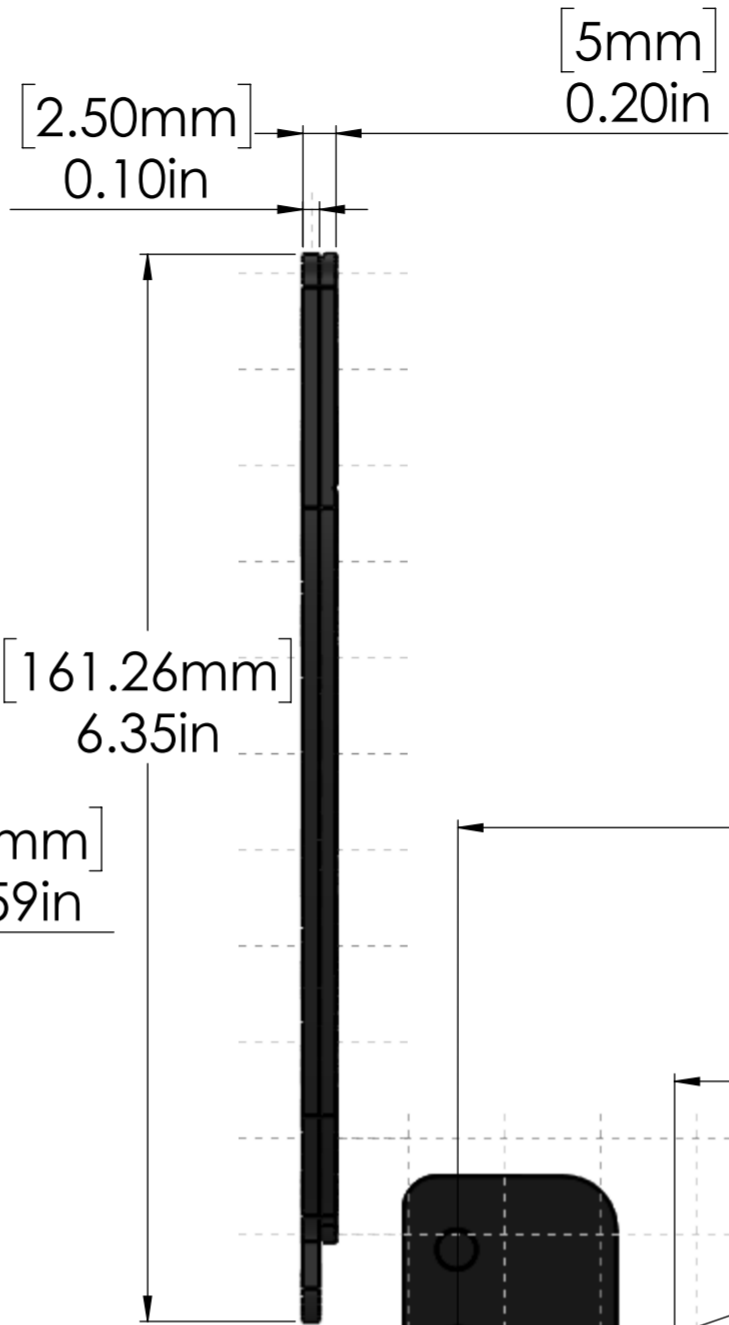
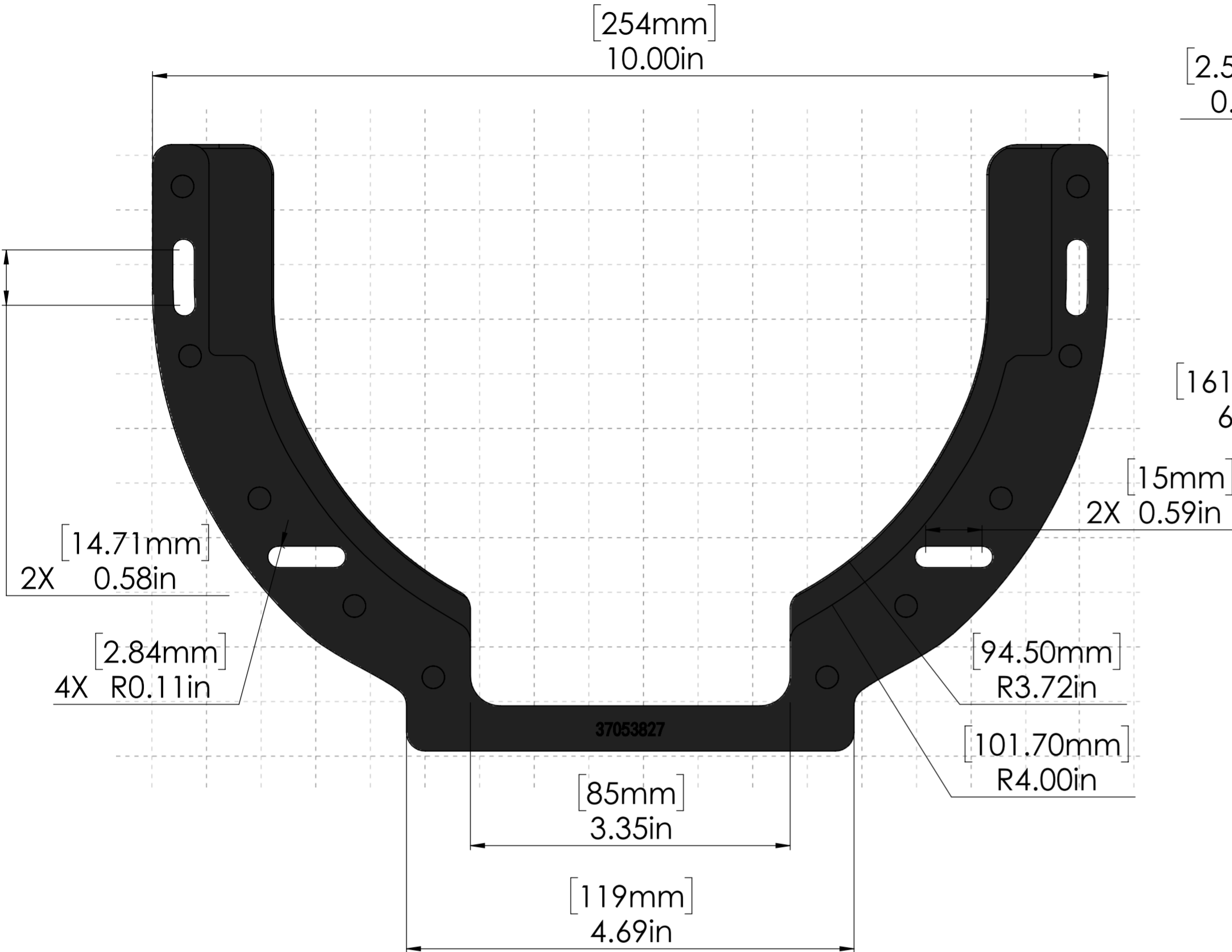
# VIDERI CONFIDENTIAL



PART	PANTONE COLOR CODE
MOUNTING PLATE	MATTE BLACK PANTONE BLACK C
HORSESHOE MOUNT	MATTE BLACK PANTONE BLACK C

UNLESS OTHERWISE SPECIFIED: DIMENSIONS ARE IN MILLIMETERS				FINISH:		DEBURR AND BREAK SHARP EDGES		DO NOT SCALE DRAWING		REVISION	
TOLERANCES: LINEAR: ANGULAR:											
DRAWN	NAME	SIGNATURE	DATE					TITLE:			
CHK'D	A.KHAN		2023/04/18					SPARK 2&3 MOUNTING PLATE			
APPV'D								DWG NO.		A2	
MFG								CANVAS DIMENSIONS			
Q.A						MATERIAL:		SCALE:1:1		SHEET 7 OF 8	
						WEIGHT:					

# VIDERI CONFIDENTIAL



PART	PANTONE COLOR CODE
MOUNTING PLATE	MATTE BLACK PANTONE BLACK C
HORSESHOE MOUNT	MATTE BLACK PANTONE BLACK C

UNLESS OTHERWISE SPECIFIED: DIMENSIONS ARE IN MILLIMETERS				FINISH:		DEBURR AND BREAK SHARP EDGES		DO NOT SCALE DRAWING		REVISION	
TOLERANCES: LINEAR: ANGULAR:											
DRAWN	NAME	SIGNATURE	DATE					TITLE:		A2	
CHK'D	A.KHAN		2023/04/18					HORSESHOE MOUNT			
APPV'D								DWG NO.		CANVAS DIMENSIONS	
MFG								SCALE: 1:1		SHEET 8 OF 8	
Q.A						MATERIAL:					
						WEIGHT:					